

4566 MILANO Porch Rocker

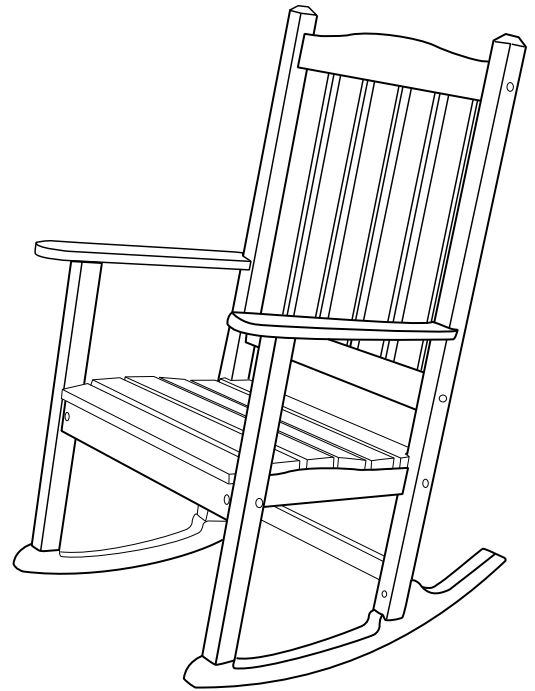
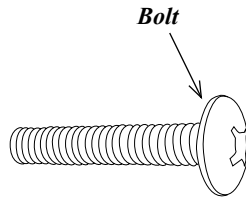
Contents:

- (1) Seat
- (1) Back
- (2) Assembled Sides
- (1) Cross Brace

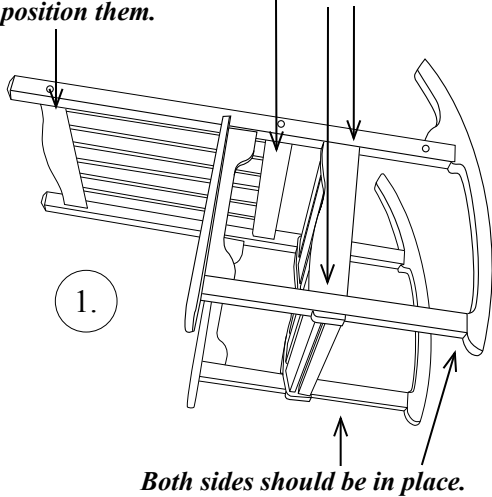
- (8) 1 1/4" Flat Head Square Drive Screws
- (6) 1/4 - 20 x 2" Bolts

Tools Required:

- #3 Phillips Head Screwdriver
- #2 Square Bit Screwdriver



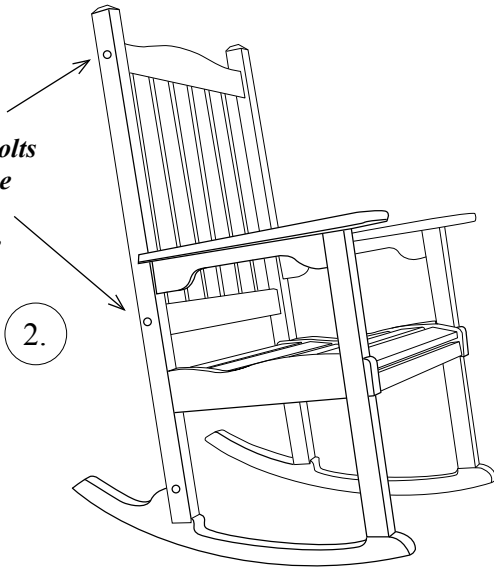
Slide the chair back into the pockets on the inside of the assembled side, then slide the seat into the inside pockets on the same side, then slide on the opposite side assembly to position them.



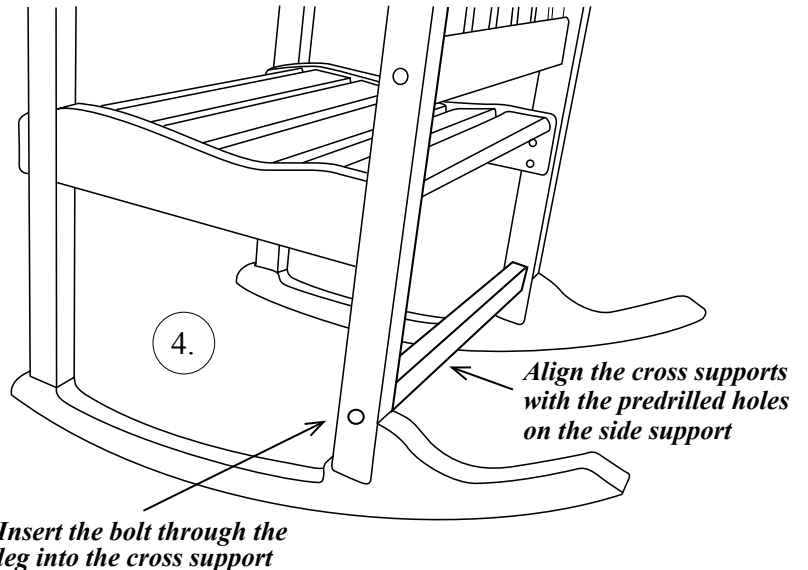
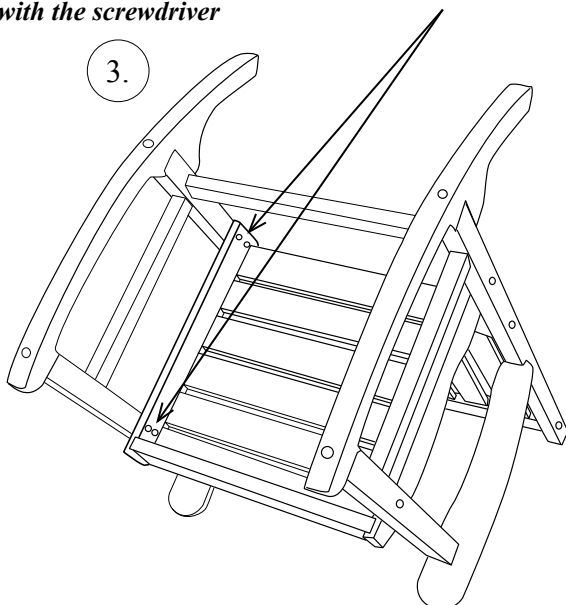
Assembly Instructions

1. With an assembled side laying flat on the floor, slide the chair back into the pockets on the side to position it. Slide the seat into the pockets on the side to position it. Slide the other chair side onto the seat and chair back to position it. **Both sides should be slid into place.**
2. Align the predrilled holes of the chair back to the post and insert the 1/4 - 20 x 2" bolts through the post and into the chair back, on top and bottom of the chair back, then tighten them with the screwdriver. **Repeat on the other side**
3. With the seat in the pockets on the side posts to position it. Align the predrilled holes underneath the seat to the front and the back side posts, insert two screws in both the back and the front of the seat and tighten them with the screwdriver. **Repeat on the other side**
4. Align the cross support with the predrilled holes on the back legs above the rocker feet of the chair, then insert the 1/4 - 20 x 2" bolt through the leg and into the cross support and tighten them with the screwdriver. **Repeat on the other side**

Align the predrilled holes then insert the bolts to attach the back of the chair to the side post.



Align the predrilled holes underneath the seat to the front and back side posts, insert the two screws and tighten them with the screwdriver





Care & Maintenance

Ocean Comfort products are constructed from HDPE (High Density Polyethylene), primarily a recycled material. UV inhibitors are also added to resist fading. Simply maintain your furniture by cleaning with soap and warm water to ensure its long lasting beauty. A soft bristle brush can be used on any tough to clean stains. Stainless steel hardware is used in the assembly of these products and should be rinsed regularly with fresh water if being used in a coastal environment.

KETTLER Limited Warranty

Ocean Comfort products are guaranteed for a period of 20 years (for residential use) and 5 years (for commercial use), starting from original purchase date. This warranty covers defects in materials and/or workmanship and does not apply to the hardware.

Warranty not applicable to any products deemed as misused, abused or damaged due to an uncontrollable act of nature.

*For Parts and Service, please contact us directly at 866-804-0440 or email parts@kettlerusa.com



Made in the U.S.A.

KETTLER® International Inc. • 1355 London Bridge Road • Virginia Beach, VA 23453
www.kettlerusa.com • info@kettlerusa.com